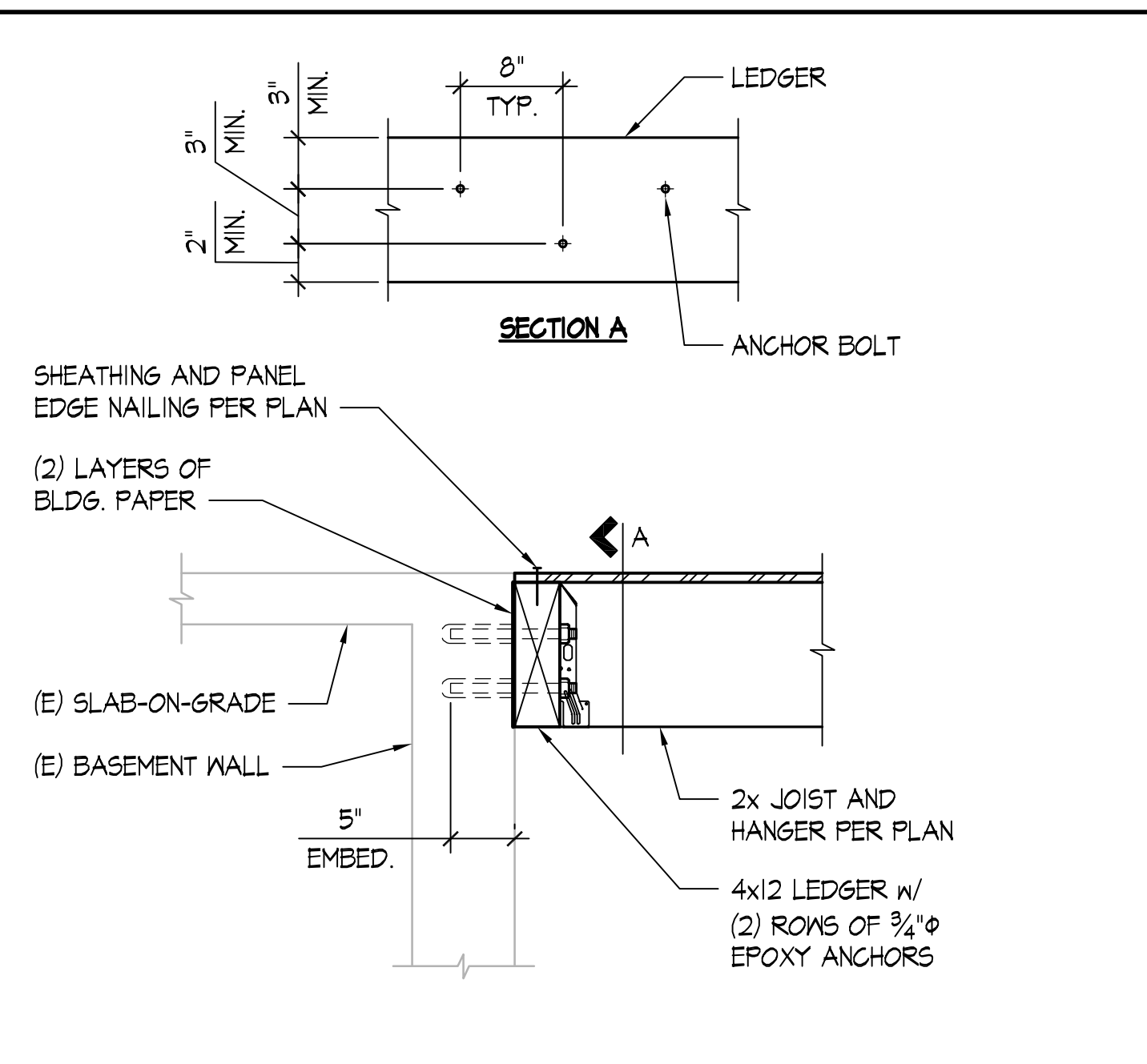
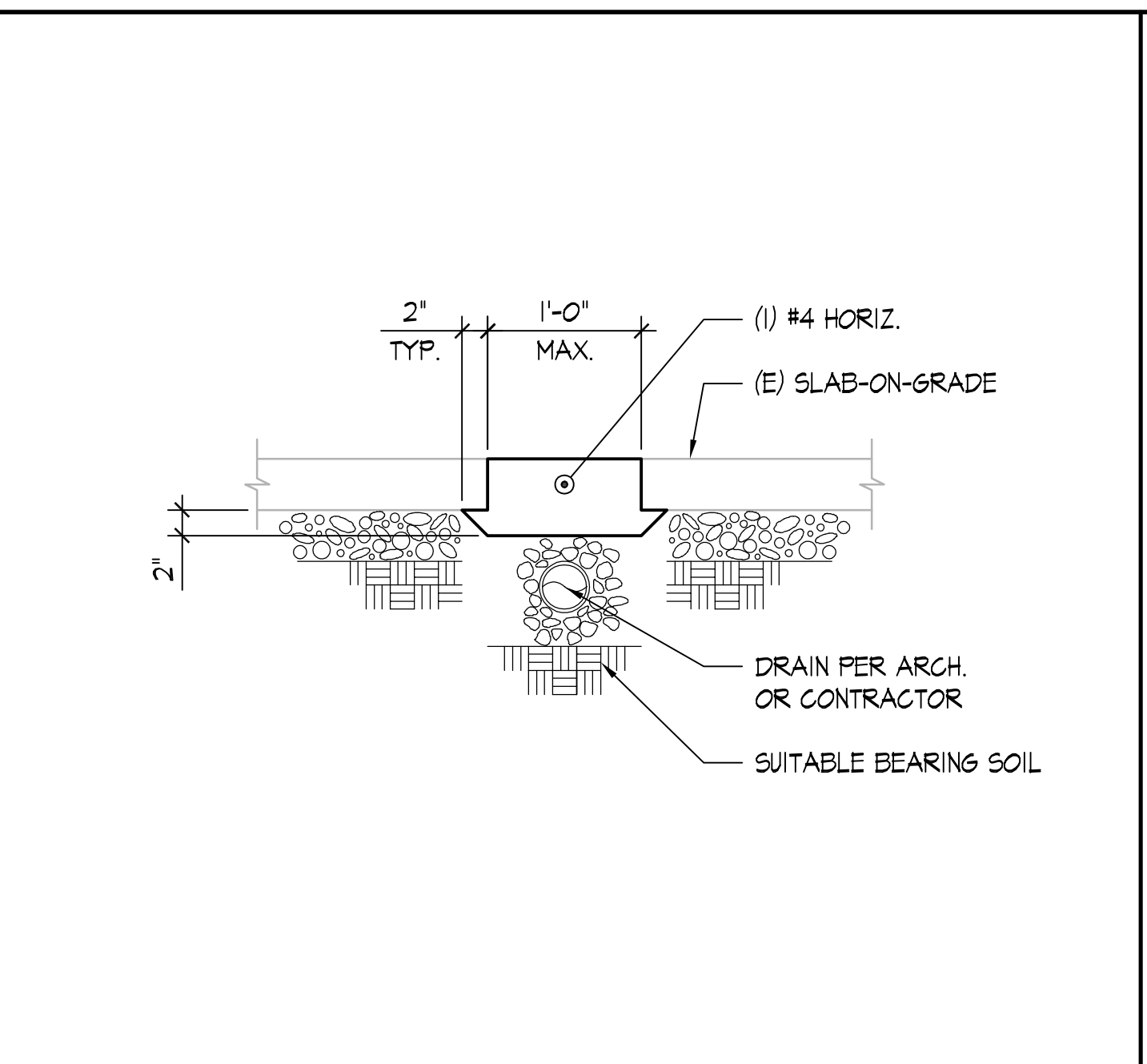


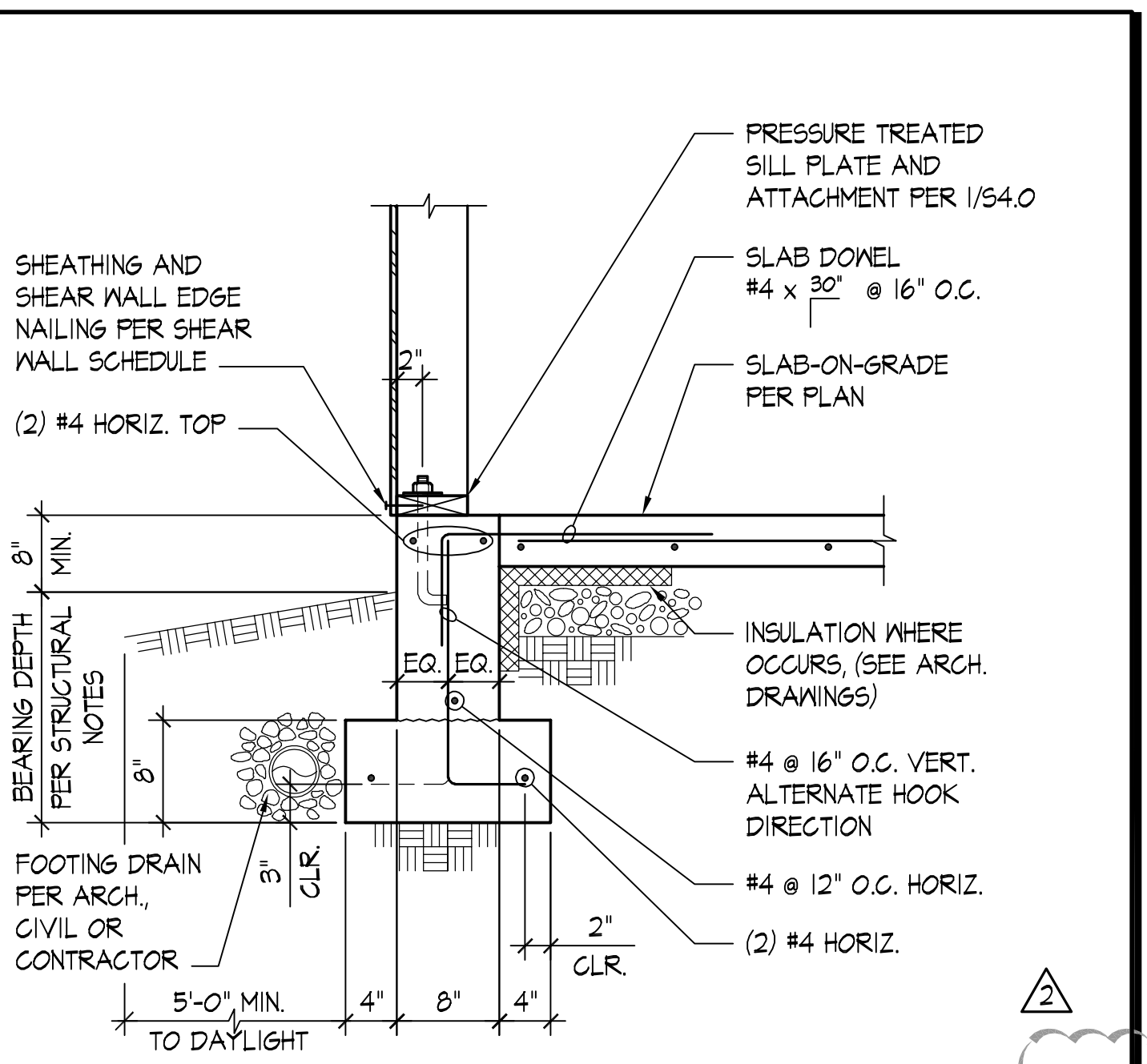
TYPICAL NEW FOUNDATION TO EXISTING FOUNDATION SCALE: NONE



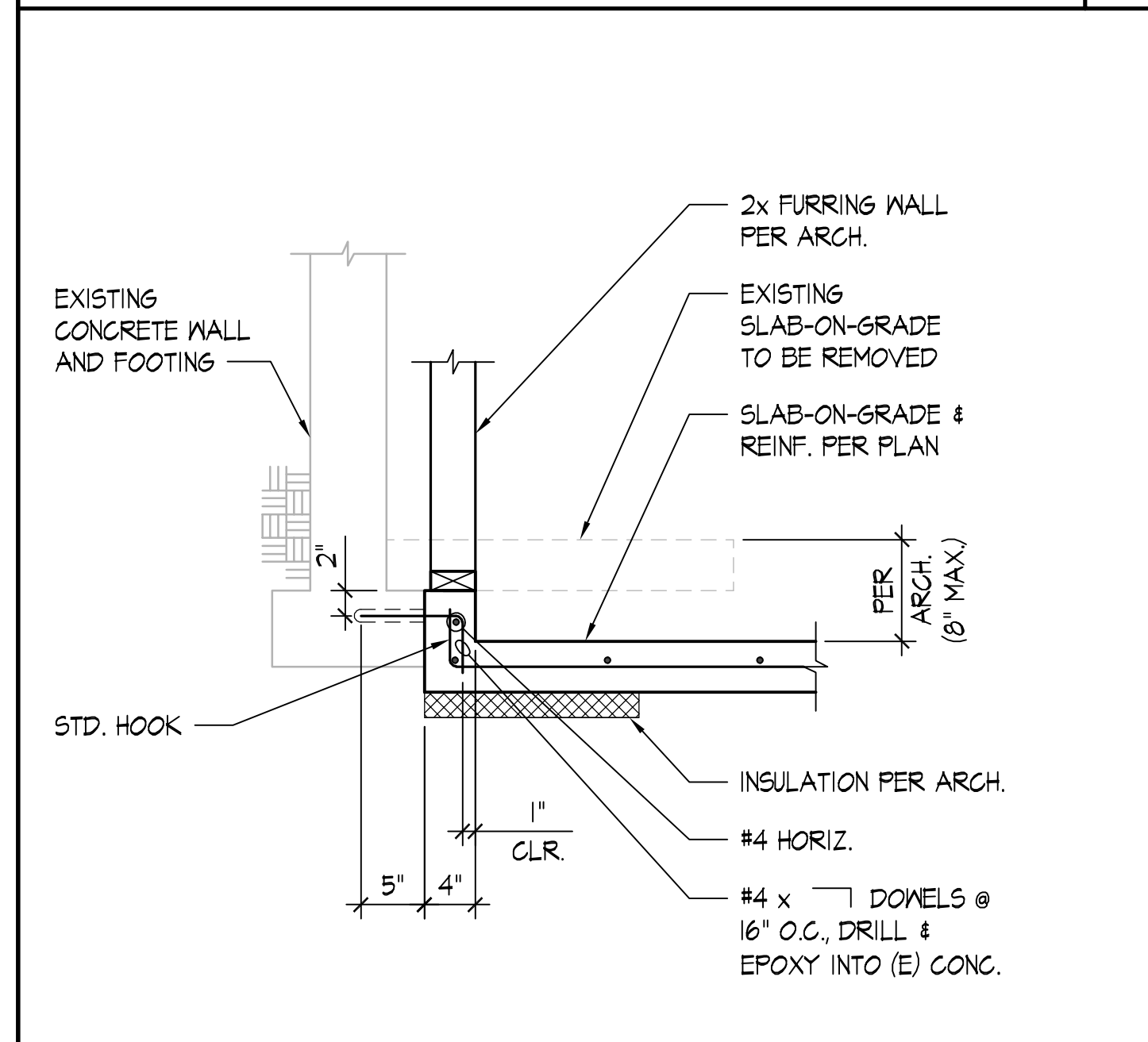
TYPICAL FLOOR FRAMING AT EXISTING FOUNDATION SCALE: NONE



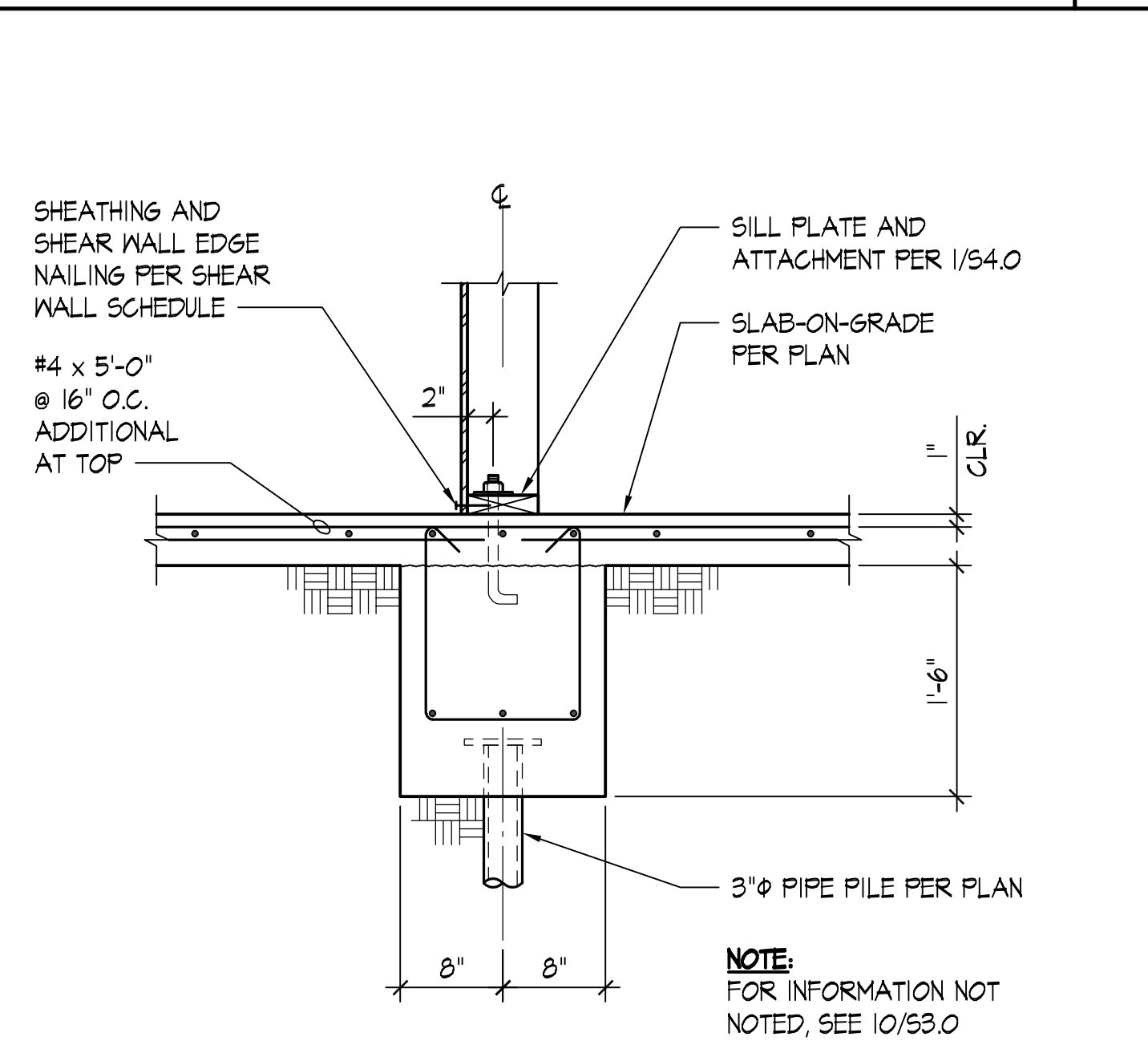
TYPICAL PLUMBING DRAIN AT EXISTING SLAB-ON-GRADE SCALE: NONE



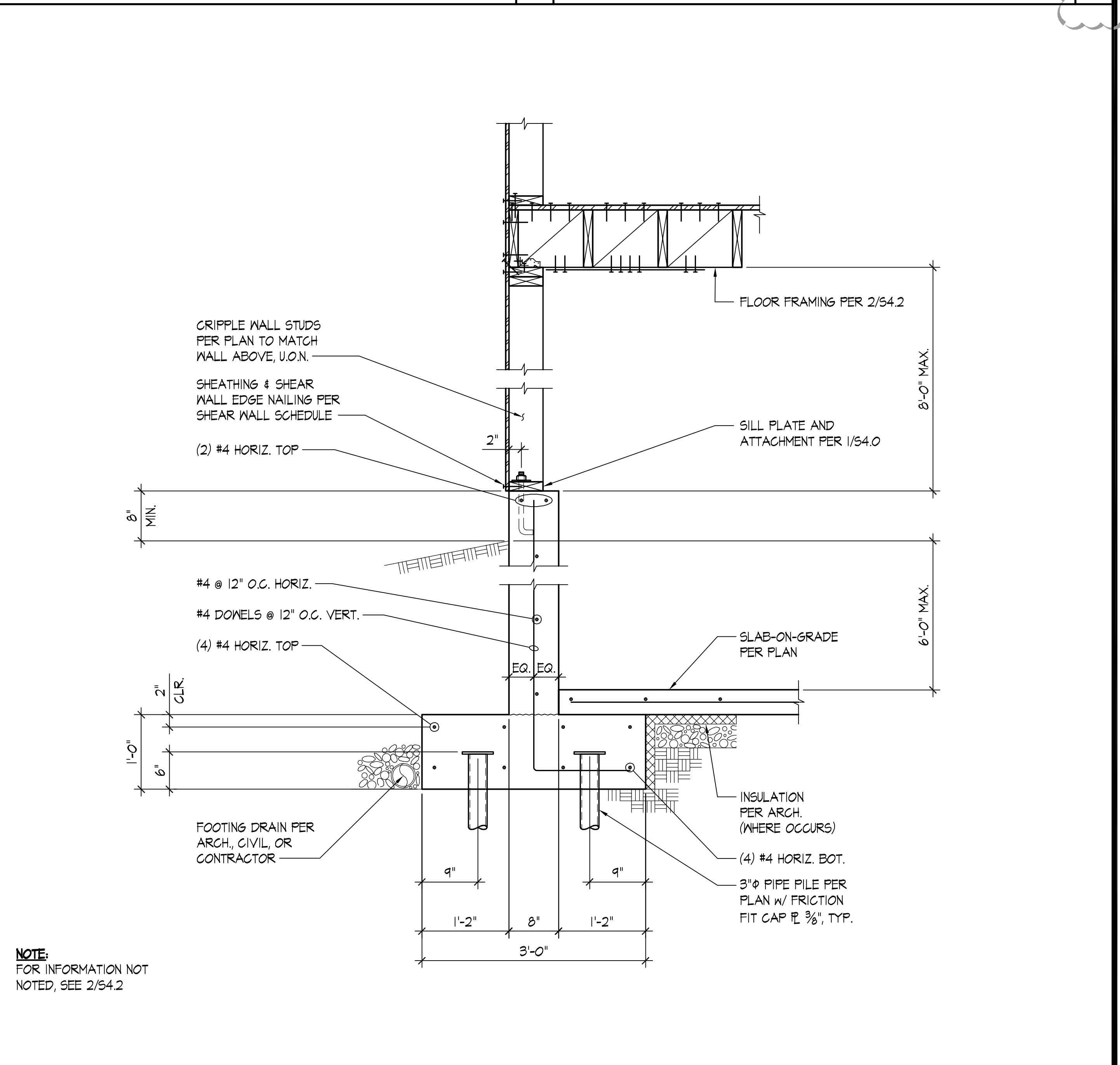
TYPICAL PERIMETER WALL FOUNDATION AT SLAB-ON-GRADE SCALE: NONE



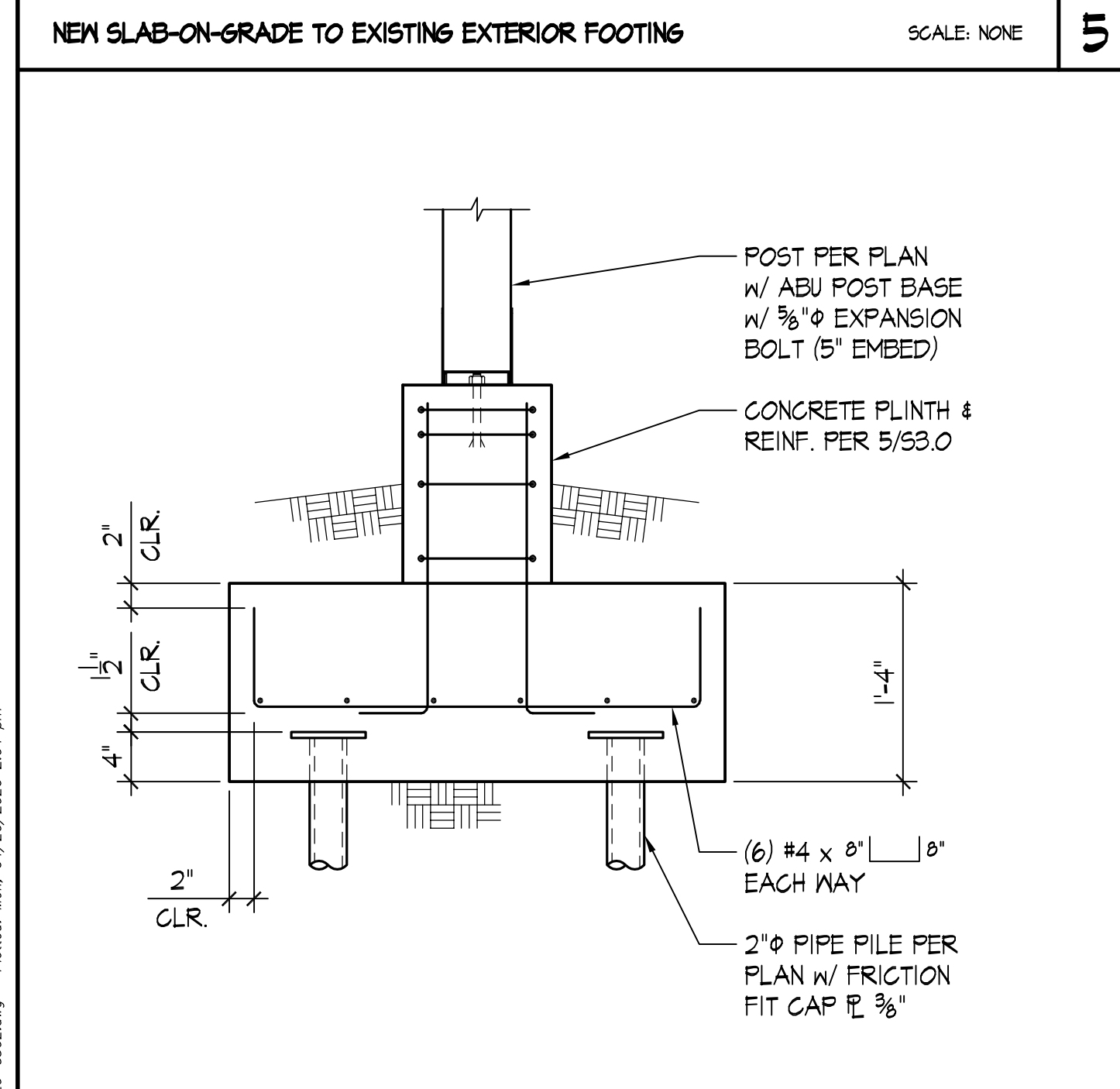
NEW SLAB-ON-GRADE TO EXISTING EXTERIOR FOOTING SCALE: NONE



TYPICAL PIPE PILE FOUNDATION - INTERIOR SCALE: NONE



TYPICAL BASEMENT WALL - 2x JOIST PARALLEL SCALE: NONE



EXTERIOR POST AT PILE CAP SCALE: 1"=1'-0"

**QUANTUM**  
CONSULTING ENGINEERS

1511 THIRD AVENUE  
SUITE 323  
SEATTLE, WA 98101  
TEL 206.957.3900  
FAX 206.957.3901  
www.quantumce.com

SEAL:

SANDRO K. KODAMA  
STATE OF WASHINGTON  
LICENSED PROFESSIONAL ENGINEER  
56413

PROJECT:

**ADAMS RESIDENCE**

8035 SE 45TH ST  
MERCER ISLAND, WA 98040

APPROVAL:

NO.	DESCRIPTION	DATE	BY
FOUNDATION REVISIONS		4/20/26	
OWNER REVISIONS		4/1/26	
CONSTRUCTION SET		1/14/26	
PERMIT REVISIONS		5/3/24	
PERMIT SET		12/12/23	

ISSUES:	REVISIONS:
P.M.	SKK
P.E.	MKS
DRAWN BY:	MAZ
SCALE:	AS SHOWN
DATE:	12/12/23
JOB NO.	22229.01

SHEET TITLE:

**FOUNDATION DETAILS**

SHEET NO.

**S3.2**

File: 229-402.dwg Printed: Mon, 04/20/2026 2:04 pm

